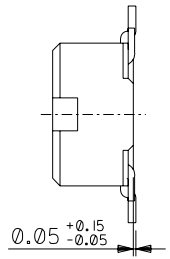


DETAIL H  
SCALE 20-1



注記  
NOTES:

1. 材質  
MATERIAL  
ハウジング: LCP (液晶ポリマー)、ガラス充填、黒色、UL94V-0  
HOUSING: LCP (LIQUID CRYSTAL POLYMER), GLASS FILLED, BLACK, UL94V-0  
ターミナル: 銅合金 (t=0.15)  
TERMINAL: COPPER ALLOY (t=0.15)  
ネイル: 銅合金 (t=0.2)  
NAIL: COPPER ALLOY (t=0.2)
2. メッキ仕様  
PLATING  
ターミナル  
TERMINAL  
接点部: 金メッキ 0.25マイクロメートル以上。  
CONTACT AREA: GOLD 0.25 MICROMETER MINIMUM.  
半田付け部: 金メッキ 0.4マイクロメートル以下。  
SOLDER TAIL AREA: GOLD 0.4 MICROMETER MAXIMUM.  
下地メッキ: ニッケルメッキ 1.5マイクロメートル以上。  
UNDER PLATING: NICKEL 1.5 MICROMETER MINIMUM.  
ネイル  
NAIL  
鍍メッキ 3.0マイクロメートル以上  
Sn 3.0 MICROMETER MINIMUM.  
下地メッキ: ニッケルメッキ 1.0マイクロメートル以上。  
UNDER PLATING: Ni 1.0 MICROMETER MINIMUM.
3. テール平坦度は、0.08ミリメートル以下。テールとネイルを併せた平坦度は、0.1ミリメートル以下。  
TAIL COPLANARITY TO BE 0.08 MAXIMUM. TAILS AND NAILS COPLANARITY TO BE 0.1 MAXIMUM.
4. 嵌合相手: 54363-\*\*\*\*  
MATED CONN.: 54363-\*\*\*\*
5. この製品は55201-\*\*01, (エンボス梱包品 55201-\*\*08) の鉛フリー品です。  
THIS PRODUCT IS 'LEAD FREE' OF 55201-\*\*01, (EMBOSSED TAPE PKG 55201-\*\*08)

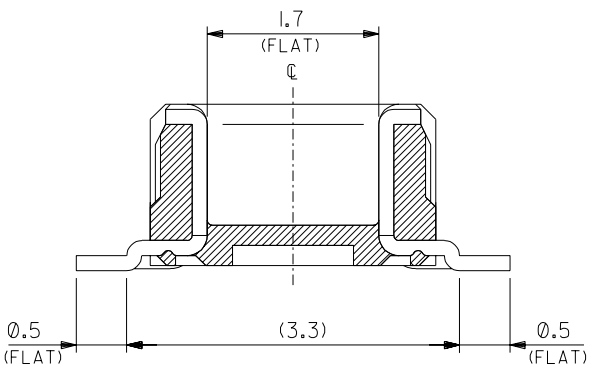
—#	40.55	41.75	39.5	42.75	55201-1678	55201-1671	160	—
—#	35.55	36.75	34.5	37.75	55201-1478	55201-1471	140	○
—#	30.55	31.75	29.5	32.75	55201-1278	55201-1271	120	○
—#	25.55	26.75	24.5	27.75	55201-1078	55201-1071	100	—
—#	23.05	24.25	22	25.25	55201-0978	55201-0971	90	—
—#	20.55	21.75	19.5	22.75	55201-0878	55201-0871	80	○
4	18.05	19.25	17	20.25	55201-0778	55201-0771	70	—
8	15.55	16.75	14.5	17.75	55201-0678	55201-0671	60	—
12	13.05	14.25	12	15.25	55201-0578	55201-0571	50	○
20	10.55	11.75	9.5	12.75	55201-0478	55201-0471	40	○
30	8.05	9.25	7	10.25	55201-0378	55201-0371	30	○
20	5.55	6.75	4.5	7.75	55201-0278	55201-0271	20	○

ロック数 LOCKS	D	C	B	A	エンボス梱包品 EMBOSSED TAPE PACKAGING	製品番号 MATERIAL NO.	極数 CIRCUITS	量産対応 AVAILABLE	
	DIMENSIONS:								SHT
GENERAL TOLERANCES: (UNLESS SPECIFIED) 一般公差					SCALE 10-1	DESIGN UNITS <input checked="" type="checkbox"/> mm <input type="checkbox"/> INCH	THIRD ANGLE PROJECTION	<input type="checkbox"/> mm <input type="checkbox"/> INCH <input checked="" type="checkbox"/> mm ONLY	REVISE ON CAD ONLY
10 未満	±0.2		DRAWN BY & DATE <i>A. Ida</i> 04/01/06		TITLE: 0.5 mm PITCH B/B CONN. PLUG HOUSING ASS'Y (H=2mm) WITH FITTING NAIL -LEAD FREE-				
10 以上 30 未満	±0.25		CHECKED BY & DATE <i>R. Takase</i> 04/01/06						
30 以上	±0.3		APPROVED BY & DATE <i>J. Mizuno / Y. Ito</i> 04/01/06		MOLEX INCORPORATED				
ANGLE	角度	±3°		CAD FILENAME SD-55201-013.S01	MATERIAL NO. SEE CHART	DRAWING NO. SD-55201-013	SHEET NO. 1 OF 2	SIZE B	
THIS DRAWING CONTAINS INFORMATION THAT IS PROPRIETARY TO MOLEX INCORPORATED AND SHOULD NOT BE USED WITHOUT WRITTEN PERMISSION.									

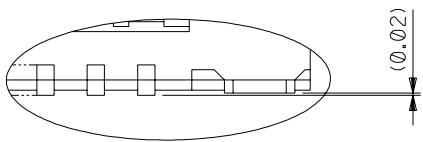
DO NOT SCALE DRAWING

EC NO. DRWN: CHK: APPR:	EC NO. DRWN: CHK: APPR:	EC NO. DRWN: CHK: APPR:	REVISED ECNNO. J2004-2225 DRWN: A.IDA 04/02/03 CHK: H.TAKASE APPR: MIYAZAWA/YO.ITO	RELEASED ECNNO. J2004-1740 DRWN: A.IDA 04/01/06 CHK: H.TAKASE APPR: MIYAZAWA/YO.ITO	MATERIAL 材料 注記参照 SEE NOTES	FINISH 仕上げ 注記参照 SEE NOTES	WIRE RANGE 適用層線範囲	INS. RANGE 被覆外径
A	0	0						

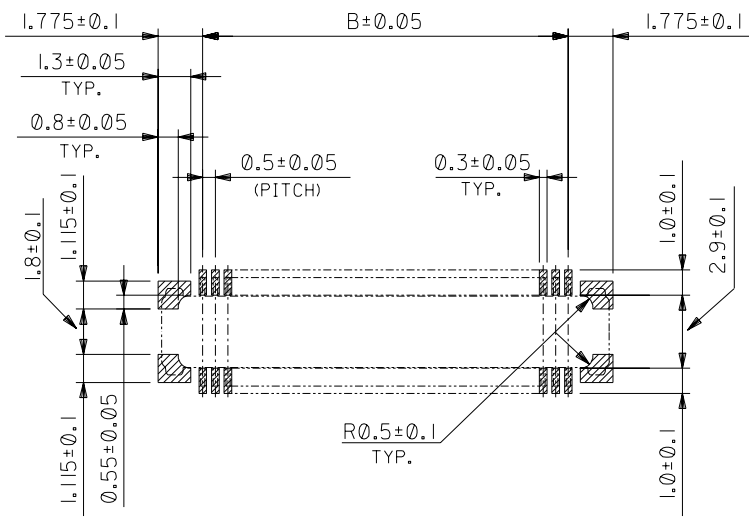
DWG. NO.  
SD-55201-013



製品断面図 (半田付け部、吸着面寸法)  
DETAIL FOR SOLDERING AND VACUUM AREA



T部詳細  
DETAIL T



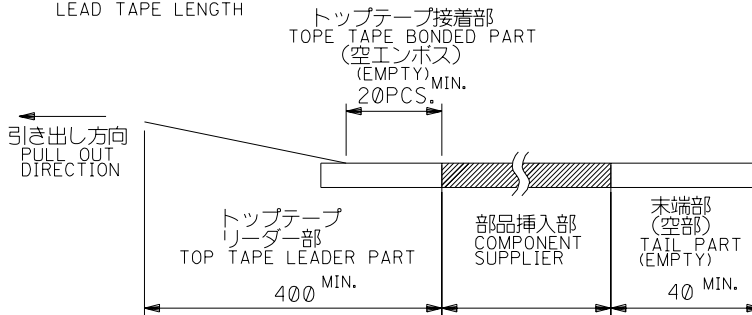
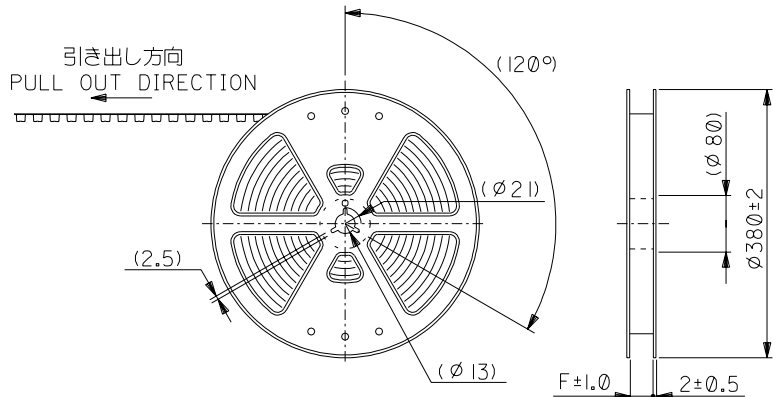
推奨基板寸法  
RECOMMENDED PCB PATTERN LAYOUT  
(SCALE:5-1)

DO NOT SCALE DRAWING

EC NO. DRAWN: CHK'g: APPR:	EC NO. DRAWN: CHK'g: APPR:	EC NO. DRAWN: CHK'g: APPR:	EC NO. DRAWN: CHK'g: APPR:	SEE SHEET 1 OF 2 EC NO. DRAWN: CHK'g: APPR:	DESCRIPTION	MATERIAL 材料	GENERAL TOLERANCES: (UNLESS SPECIFIED) 一般公差	SCALE 20-1	DESIGN UNITS <input checked="" type="checkbox"/> mm <input type="checkbox"/> INCH	THIRD ANGLE PROJECTION <input type="checkbox"/> mm <input type="checkbox"/> INCH <input checked="" type="checkbox"/> mm ONLY	SHT	REV
						FINISH 仕上り		10 UNDER 未満	±0.2		DRAWN BY & DATE <i>A. Iida</i> '04/01/06	TITLE: 0.5 mm PITCH B/B CONN. PLUG HOUSING ASS'Y (H=2mm) WITH FITTING NAIL -LEAD FREE-
WIRE RANGE 適用電線範囲	10 OVER 以上	30 UNDER 未満	±0.25	CHECKED BY & DATE <i>R. Takase</i> '04/01/06								
INS. RANGE 被覆外径	30 OVER 以上		±0.3	APPROVED BY & DATE <i>V. Murota / Y. Ito</i> '04/01/06								
						ANGLE 角度	±3°	CAD FILENAME SD-55201-013.S02		MATERIAL NO. SEE CHART	DRAWING NO. SD-55201-013	SHEET NO. 2
										THIS DRAWING CONTAINS INFORMATION THAT IS PROPRIETARY TO MOLEX INCORPORATED AND SHOULD NOT BE USED WITHOUT WRITTEN PERMISSION.		SIZE B

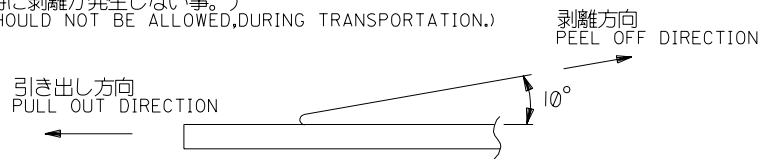
注)  
NOTES

- 製品番号55201-\*\*\*71 詳細寸法については、製品単体図面を参照下さい。  
IN THE PACKAGE PART NUMBER 55201-\*\*\*71 DETAILED DIMENSIONS, SEE SALES DRAWING FOR CONNECTOR.
- 梱包数量：2500個/リール  
NUMBER OF CONNECTORS:2500 PCS/REEL.
- リードテープ長さ  
LEAD TAPE LENGTH



- トップテープの剥離強度：(剥離方向は下図参照)  
PEELING OFF FORCE OF TOP TAPE (PELLING DIRECTION AS SHOWN IN FOLLOWING FIGURE.)  
0.1~1.3N (10~130gf)

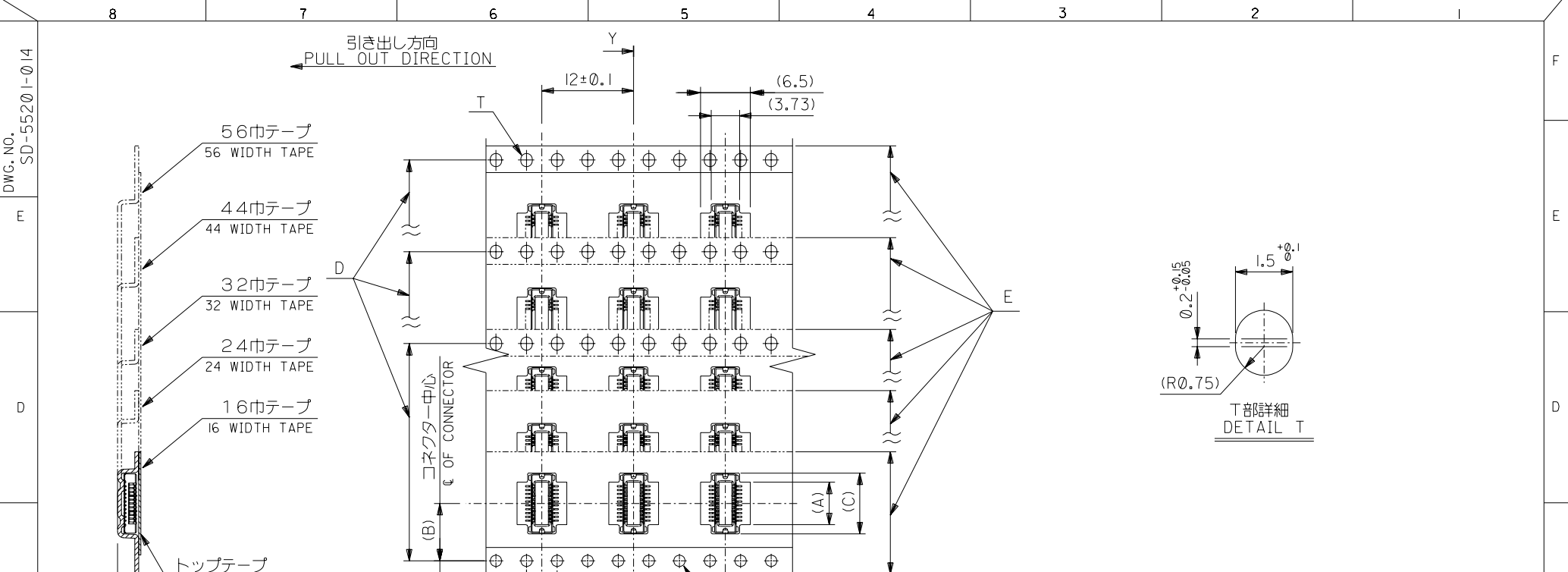
尚、本規格値は、出荷時に適用。  
THIS REQUIREMENT SHOULD BE APPLIED AT SHIPMENT.  
(但し、輸送時に剥離が発生しない事。)  
(PEEL OFF SHOULD NOT BE ALLOWED,DURING TRANSPORTATION.)



- 材料  
MATERIAL  
キャリアテープ：ポリプロピレン (PP)  
CARRIER TAPE:POLYPROPYLENE(PP)  
トップテープ：PET, PE, PEF  
TOP TAPE:PET,PE,PEF  
リール：ポリスチレン  
REEL :POLYSTYRENE
- この製品は55201-\*\*\*01, (エンボス梱包品 55201-\*\*\*08) の鉛フリー品です。  
THIS PRODUCTE IS 'LEAD FREE' OF 55201-\*\*\*01, (EMBOSSED TAPE PKG 55201-\*\*\*08)

DO NOT SCALE DRAWING

EC NO. DRAWN: CHK: APPR:	EC NO. DRAWN: CHK: APPR:	EC NO. DRAWN: CHK: APPR:	REVISED	MATERIAL	GENERAL TOLERANCES: (UNLESS SPECIFIED)		SCALE	DESIGN UNITS	THIRD ANGLE	DIMENSIONS:		SHT	REV	
			ECNNO. J2004-2225	材料	10 UNDER	NONE	mm	mm	mm	mm	INCH	mm ONLY	REVISION ON	CAD ONLY
			DRWN: A.IDA '04/02/02	注記参照	10 OVER 30 UNDER	PROJECTION	INCH	mm	mm	mm	mm	mm	ONLY	CAD ONLY
			CH'K: H.TAKASE	SEE NOTES	30 OVER	以上	以上	以上	以上	以上	以上	以上	以上	以上
APP: MIYAZAWA/YO.ITO	FINISH	WIRE RANGE	DESCRIPTION	ANGLE	角度	3°	DRAWN BY & DATE		TITLE:					
RELEASD	仕上	適用 被覆範囲	注記参照				A. Ida '04/01/06		55201-***71					
ECNNO. J2004-1740	注記参照	適用 被覆範囲	SEE NOTES				CHECKED BY & DATE		TAPING PACKAGE -LEAD FREE-					
DRWN: A.IDA '04/01/06	SEE NOTES	適用 被覆範囲	SEE NOTES				APPROVED BY & DATE		MOLEX INCORPORATED					
CH'K: H.TAKASE	SEE NOTES	適用 被覆範囲	SEE NOTES				M. Masuda / Y. Oka '04/01/06		MATERIAL NO. SEE CHART					
APP: MIYAZAWA/YO.ITO	SEE NOTES	適用 被覆範囲	SEE NOTES				CAD FILENAME		DRAWING NO.		SHEET NO.			
		適用 被覆範囲	SEE NOTES				SD-55201-014.S01		SD-55201-014		1 OF 2			
		適用 被覆範囲	SEE NOTES				THIS DRAWING CONTAINS INFORMATION THAT IS PROPRIETARY TO MOLEX INCORPORATED AND SHOULD NOT BE USED WITHOUT WRITTEN PERMISSION.						SIZE	
		適用 被覆範囲	SEE NOTES										B	



57.5	56±0.3	52.4	42.95 37.95 32.95	26.2	40.55 35.55 30.55	55201-1678 55201-1478 55201-1278	160 140 120	— ○ ○
45.5	44±0.3	40.4	27.95 22.95	20.2	25.55 23.05 20.55	55201-1078 55201-0978 55201-0878	100 90 80	— ○ ○
33.5	32±0.3	28.4	20.45 17.95	14.2	18.05 15.55	55201-0778 55201-0678	70 60	— —
25.5	24±0.3	—	15.45 12.95 10.45	11.5	13.05 10.55 8.05	55201-0578 55201-0478 55201-0378	50 40 30	○ ○ ○
17.5	16±0.3	—	7.95	7.5	5.55	55201-0278	20	○
F	E キャリアテープ幅 CARRIER TAPE WIDTH	D	(C)	(B)	(A)	製品番号 MATERIAL NO.	極数 CIRCUITS	量産対応 AVAILABLE

DO NOT SCALE DRAWING					GENERAL TOLERANCES: (UNLESS SPECIFIED) 一般公差		SCALE NONE	DESIGN UNITS <input checked="" type="checkbox"/> mm <input type="checkbox"/> INCH	THIRD ANGLE PROJECTION		DIMENSIONS: <input type="checkbox"/> mm <input type="checkbox"/> INCH <input checked="" type="checkbox"/> mm ONLY		SHT	REV
EC NO. DRWN: CHK: APPR:	EC NO. DRWN: CHK: APPR:	EC NO. DRWN: CHK: APPR:	EC NO. DRWN: CHK: APPR:	EC NO. DRWN: CHK: APPR:	SEE SHEET 1 OF 2	DESCRIPTION	MATERIAL 材料	10 UNDER 未滿	±0.2	DRAWN BY & DATE <i>A. Iida</i> 04/01/06		TITLE: 55201-**71 TAPING PACKAGE -LEAD FREE-		
						FINISH 仕上げ	—	10 OVER 以上	±0.25	CHECKED BY & DATE <i>R. Takase</i> 04/01/06				
						WIRE RANGE 適用線径範囲	—	30 OVER 以上	±0.3	APPROVED BY & DATE <i>Y. Iida</i> 04/01/06		MOLEX MOLEX INCORPORATED		
					0	INS. RANGE 被覆外径	—	ANGLE 角度	±3°	CAD FILENAME SD-55201-014.S02	MATERIAL NO. SEE CHART	DRAWING NO. SD-55201-014	SHEET NO. 2	THIS DRAWING CONTAINS INFORMATION THAT IS PROPRIETARY TO MOLEX INCORPORATED AND SHOULD NOT BE USED WITHOUT WRITTEN PERMISSION.